

12 MACHINE COMPONENTS

12.1 PART LIST

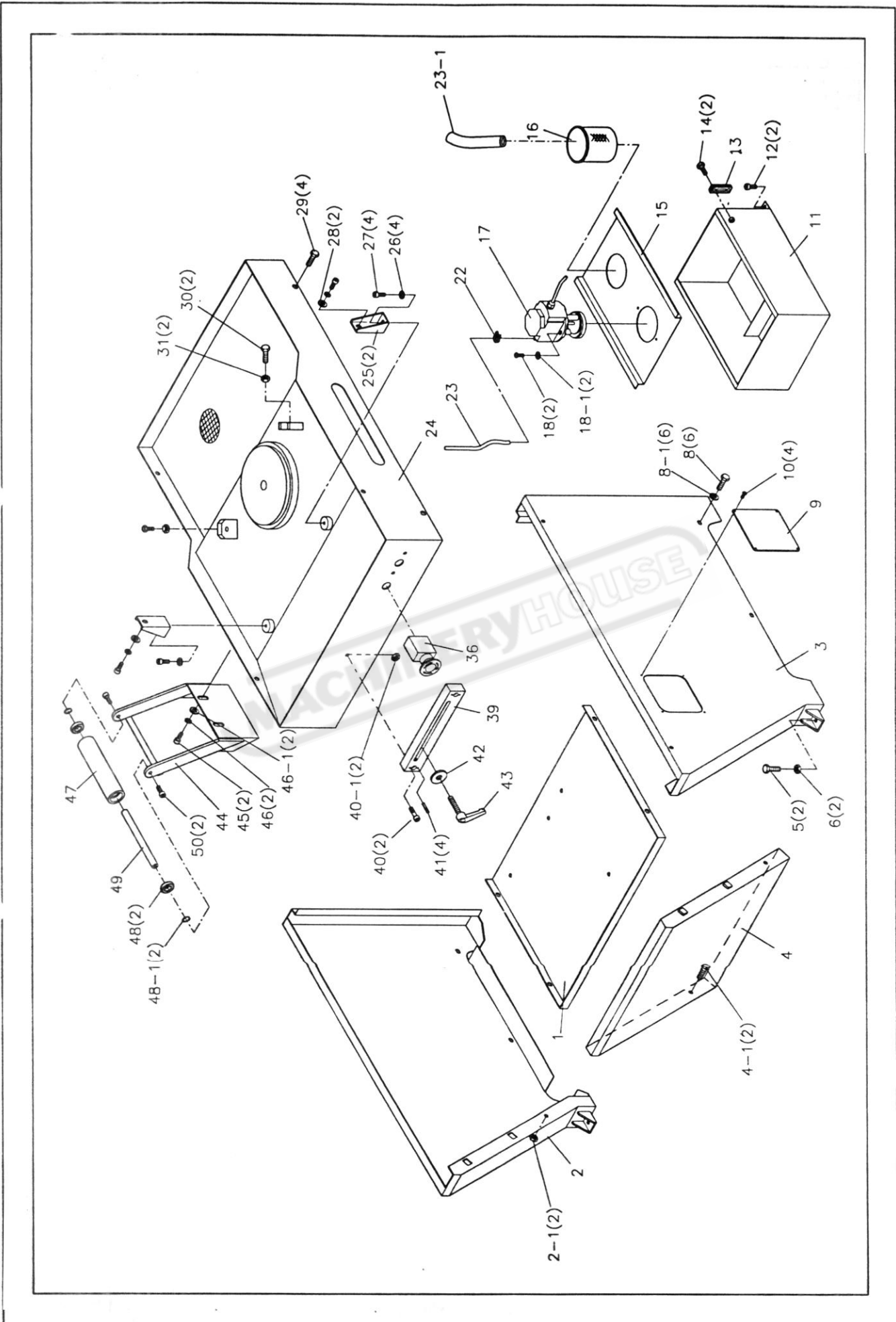
Part No.	Description	Size No.	Q'ty	Part No.	Description	Size No.	Q'ty
1	Base (Bottom Plate)		1	63	Locking Lever		1
2	Base (Left Part)		1	63-1	Set Screw	M10X10	1
2-1	Nut	M8	2	64	Hex. Socket Cap Screw	M10X35	1
3	Base (Right Part)		1	64-1	Spring Washer	M10	1
4	Base (Front Part)		1	65	Shaft Nut		1
4-1	Hex. Cap Bolt	M8X16	2	66	Shaft		1
5	Hex. Cap Bolt	M12X40	2	67	Key	7X7X40	1
6	Nut	M12	2	68	Swivel Arm		1
8	Hex. Cap Bolt	M8X12	6	68-1	Hex. Cap Bolt	M10X35	1
8-1	Washer	M8	6	69	Scale		1
9	Plate		1	70	Rivet	2m/m	3
10	Hex. Socket Cap Screw	M5X8	4	71	Pin		1
11	Coolant Tank		1	72	Hollow Pin	Ø 2.5	1
12	Hex. Cap Bolt	M8X12	2	73	Spring		1
13	Coolant Gauge		1	74	Bushing		1
14	Hex. Cap Bolt	3/16"	2	75	Bracket		1
15	Tank Cover		1	76	Spring Washer	M8	2
16	Filter		1	77	Hex. Socket Cap Screw	M8X25	2
17	Pump (New)		1	78	Nut		1
18	Hex. Cap Bolt	M8X16	2	79	Jam Nut	M35	1
18-1	Washer	M8	2	80	Star Washer	Ø 35	1
22	Hose Clamp		1	81	Anti-Dust Cover	Ø 35 (32007AV)	2
23	Hose	5/16" X235cm	1	82	Ball Bearing	32007	2
23-1	Hose	1" X45cm	1	83	Shaft		1
24	Coolant and Chip Tray		1	84	Hex. Cap Bolt	M10X45	1
25	Mounting Bracket		2	85	Nut	M10	2
26	Spring Washer	M10	4	86	Pointer		1
27	Hex. Socket Cap Screw	M10X20	4	87	Hex. Socket Cap Screw	M5X8	2
28	Flat Washer	M10	2	88	Cover		1
29	Hex. Cap Bolt	M10X20	4	88-1	Hollow Pin	Ø 6	2
30	Hex. Cap Bolt	M12X40	2	89	Hex. Socket Cap Screw	M8X35	3
31	Nut	M12	2	89-1	Spring Washer	M8	3
36	Emergency Switch	Ø 25	1	90	Flat Washer	M10	1
39	Track		1	91	Hex. Socket Cap Screw	M10X20	1
40	Hex. Socket Cap Screw	M8X35	2	91-1	Spring Washer	M10	1
40-1	Nut	M8	2	92	Table		1
41	Set Screw	M6X12	4	92-1	Set Screw	M6X12	1
42	Flat Washer		1	93	C-Ring	S-20	1
43	Handle	M8X20	1	94	Bar-Stop-Rod		1
44	Roller Stand		1	95	Bar-Stop		1
45	Hex. Cap Bolt	M12X25	2	96	Handle		1
46	Spring Washer	M12	2	97	Scale		1
46-1	Flat Washer	M12	2	98	Rivet	2m/m	3
47	Roller		1	99	Chip Gutter		1
48	Ball Bearing	6004 ZZ#	2	100	Hex. Socket Cap Screw	M6X8	2
48-1	C-Ring	S-20	2	102	No-Burr Jaw		1
49	Roller Shaft		1	103	Hex. Socket Cap Screw	M6X20	2
50	Hex. Socket Cap Screw	M10X25	2	104	Counter Vise Jaw		1
60	Handle		1	105	Hex. Socket Cap Screw	M6X20	2
60-1	Hex. Socket Cap Screw	M8X20	2	106	Vise Jaw		1
60-2	Nut	M8	2	107	Flat Head Machine Screw	M6X15	2
61	Handle		1	108	Vise		1
62	Nut	M12	1	109	Dovetail Plate		1

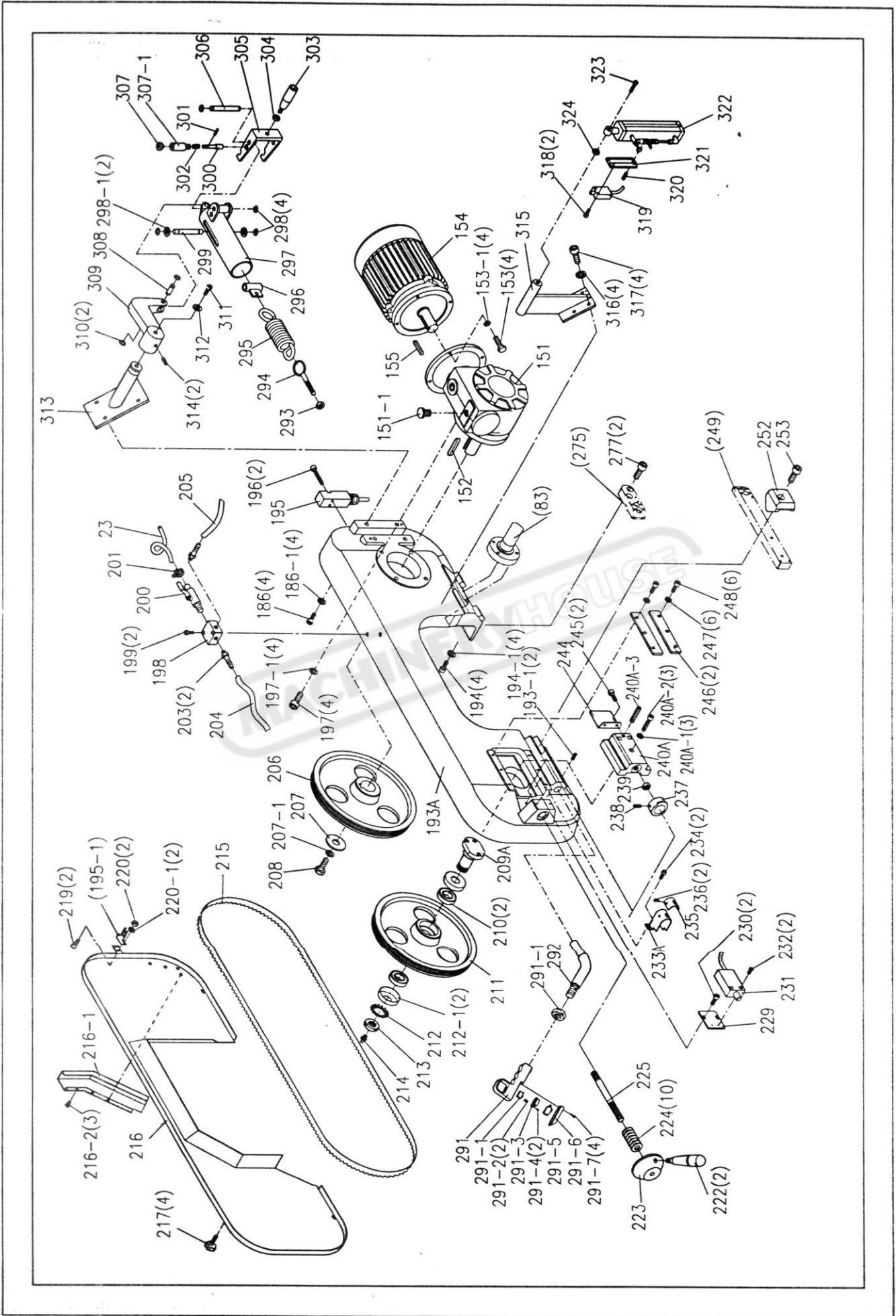
PART LIST

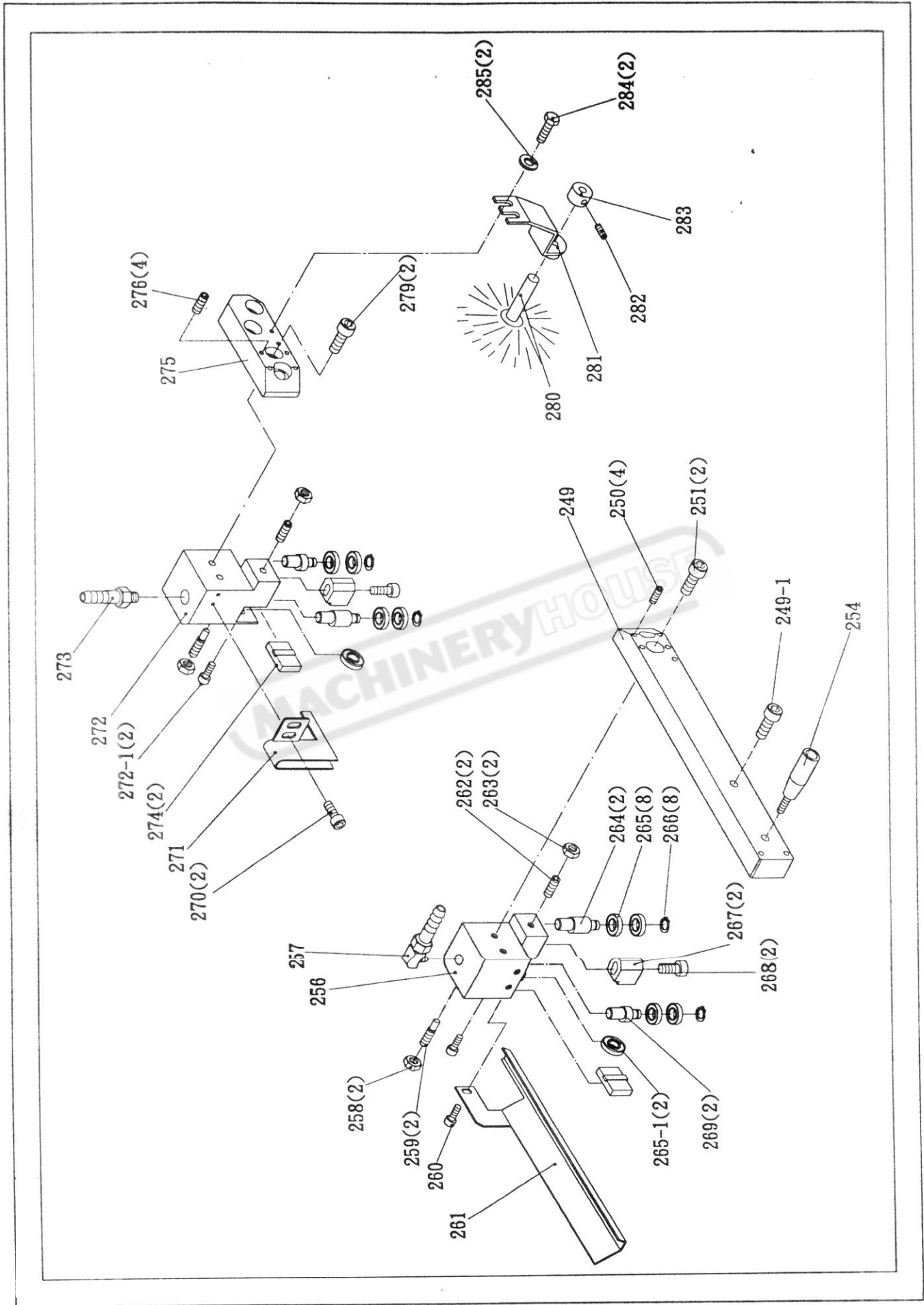
Part No.	Description	Size No.	Q'ty	Part No.	Description	Size No.	Q'ty
110	Nut	M5	3	150-2	Spring Washer	M8	4
111	Set Screw	M5X25	3	151	Reduction Unit		1
113	Key	5X5X20	1	151-1	Vent Screw		1
115	Spring Washer	M8	4	152	Key	8X8X30	1
116	Hex. Socket Cap Screw	M8X25	4	153	Hex. Cap Bolt	M8X30	4
117	Hand Wheel		1	153-1	Spring Washer	M8	4
117-1	Spring Washer	M6	1	154	Motor		1
117-2	Hex. Socket Cap Screw	M6X25	1	155	Key	8X8X30	1
117-3	Bushing		1	186	Hex. Socket Cap Screw	M10X40	4
118	Set Screw	M8X10	1	186-1	Spring Washer	M10	4
119	Treaded Nut		1	193A	Saw Arm		1
120	Vise Seat		1	193-1	Set Screw	M8X30	2
121	Hex. Socket Cap Screw	M8X20	4	194	Hex. Socket Cap Screw	M10X30	4
121-1	Spring Washer	M8	4	194-1	Spring Washer	M10	4
122	Vise Setting Plate		1	195	Limit Switch		1
123	Hex. Socket Cap Screw	M10X35	2	195-1	Switch Pin		1
124	Setting Washer		1	196	Hex. Socket Cap Screw	M4X35	2
125	Setting Screw		1	197	Hex. Socket Cap Screw	M10X40	4
126	Setting Bolt		1	197-1	Spring Washer	M10	4
127	Handle		1	198	Pipe Fitting Seat		1
128	Setting Plate		1	199	Hex. Socket Cap Screw	M5X30	2
129	Bushing		1	200	Coolant Switch		1
130	Hex. Socket Cap Screw	M8X20	2	201	Hose Clamp		1
130-1	Spring Washer	M8	2	203	Pipe Fitting	1/4PX5/16	2
131	Electric Box Holder		1	204	Hose	5/16"X40cm	1
132	Spring Washer	M8	4	205	Hose	5/16"X90cm	1
133	Hex. Socket Cap Screw	M8X20	4	206	Drive Flywheel		1
135	Hex. Socket Cap Screw	M10X35	2	207	Washer		1
136	Spring Washer	M10	2	207-1	Spring Washer	M10	1
138	Hex. Socket Cap Screw	M6X25	2	208	Hex. Cap Bolt	M10X20	1
139	Nut	M6	2	209A	Idle Flywheel Shaft		1
142	Hex. Socket Cap Screw	M5X8	10	210	Roller Bearing	32006	2
143	Nut	M5	4	211	Idle Flywheel		1
144	Electric Box Platform		1	212	Star Washer	Ø30	1
144-1	Transformer		1	212-1	Anti-dust Cover	Ø30 (32006AV)	2
144-2	Fuse Block	2A	1	213	Jam Nut	M30	1
144-3	Magnetic Switch		1	214	Oil Inlet	1/16	1
144-4	Overload Relay	6.5A	1	215	Saw Blade		1
144-5	Terminal Strip		1	216	Blade Cover		1
144-6	Insulation Plate		1	216-1	Gutter		1
144-7	Electric Parts Plate		1	216-2	Round Head Screw	M5X6	3
146	Hex. Socket Cap Screw	M5X8	4	217	Plum Screw	M6X10	4
147-1	Indicator Light		1	219	Round Head Screw	M4X8	2
147-2	Main Connect Switch		1	220	Nut	M4	2
147-5	Speed Selector		1	220-1	Spring Washer	M4	2
147-6	Start Push Button		1	222	Handle		2
147-7	Manual/ Auto Selector		1	223	Handle Wheel		1
147-8	Control Panel		1	224	Special Spring Washer		10
148	Electrical Box Cover		1	225	Tension Shaft		1
149	Supporting Bracket		1	229	Plate		1
149-1	Shaft		1	230	Hex. Socket Cap Bolt	M6X12	2
150	Set Screw	M6X12	1	231	Limit Switch		1
150-1	Hex. Socket Cap Screw	M8X25	4	232	Hex. Socket Cap Bolt	M4X15	2

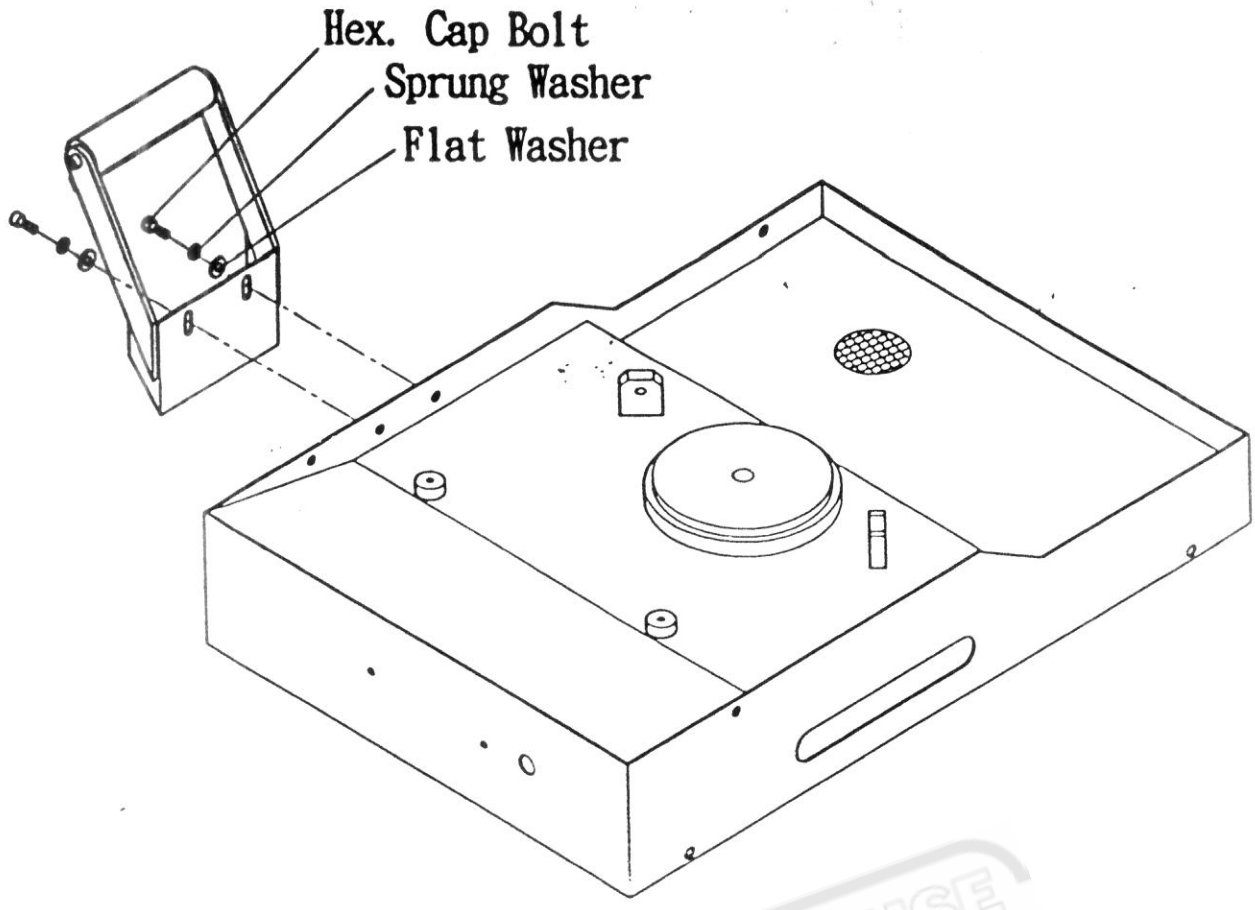
PART LIST

Part No.	Description	Size No.	Q'ty	Part No.	Description	Size No.	Q'ty
233A	Tension Indicator Stand		1	285	Washer	M6	2
234	Hex. Socket Cap Bolt	M5X8	2	286	Lead Screw		1
235	Tension Indicator		1	286-1	Spring		1
236	Round Head Screw	M4X6	2	287	Setting Seat		1
237	Indicator Cover		1	288	Lead Screw Seat		1
238	Set Screw	M5X5	1	289	Bearing Bushing		1
239	Nut	M16	1	289-1	Ball Bearing	50014	1
240A	Slide Bracket		1	289-2	Nut		1
240A-1	Spring Washer	M12	3	291	Switch Body		1
240A-2	Hex. Socket Cap Screw	M12X50	3	291-1	Trigger		1
240A-3	Set Screw	M10X16	1	291-2	Compressed Spring		2
244	Cover Plate		1	291-3	Set Bushing		1
245	Hex. Socket Cap Screw	M6X8	2	291-4	Flat Head Machine Screw	M3X8	2
246	Gib		2	291-5	Limit Switch		1
247	Spring Washer	M8	6	291-6	Cover		1
248	Hex. Socket Cap Screw	M8X25	6	291-7	Tapping Screw	M3X10	4
249	Blade Guide Movable Rod		1	292	Pipe		1
249-1	Hex. Socket Cap Screw	M6X8	1	292-1	Nut		1
250	Set Screw	M6X12	4	293	Nut	M8	1
251	Hex. Socket Cap Screw	M8X25	2	294	Spring Hook		1
252	Setting Bracket		1	295	Spring		1
253	Hex. Socket Cap Screw	M12X50	1	296	Spring Seat		1
254	Handle		1	297	Spring Bushing		1
256	Guide Bracket		1	298	C-Ring	S-12	4
257	Nozzle		1	298-1	Flat Washer		2
258	Nut	M8	1	299	Shaft		1
259	Set Screw	M10X35	1	300	Pin		1
260	Hex. Socket Cap Screw	M6X8	1	301	Hollow Pin	Ø2.5X16	1
261	Blade Guard		1	302	Spring		1
262	Set Screw	M6X20	2	303	Fork		1
263	Nut	M6	2	304	Nut	M10	1
264	Centric Shaft		2	305	Adjusting Bracket		1
265	Ball Bearing	#608ZZ	8	306	Shaft		1
265-1	Ball Bearing	#608ZZ	2	307	Knob		1
266	E-Ring	Ø7	8	307-1	Bushing		1
267	Blade Guide		2	308	Shaft		1
268	Hex. Socket Cap Screw	M6X25	2	309	Arm		1
269	Eccentric Shaft		2	310	C-Ring	S-12	2
270	Hex. Socket Cap Screw	M6X8	2	311	Hex. Socket Cap Screw	M10X20	1
271	Blade Guard		1	312	Spring Washer	M10	1
272	Guide Bracket		1	313	Post		1
272-1	Hex. Socket Cap Screw	M6X8	2	314	Set Screw	M10X10	2
273	Pipe Fitting		1	315	Hydraulic Cylinder Post		1
274	Blade Guide		2	316	Spring Washer	M8	4
275	Ball Bearing Bracket		1	317	Hex. Socket Cap Screw	M8X25	4
276	Set Screw	M6X12	4	318	Hex. Socket Cap Screw	M4X25	2
277	Hex. Socket Cap Screw	M10X30	2	319	Limit Switch		1
279	Hex. Socket Cap Screw	M8X25	2	320	Set Screw	M6X12	1
280	Brush		1	321	Setting Plate		1
281	Brush Clamp		1	322	Hydraulic Cylinder		1
282	Set Screw	M5X5	1	323	Hex. Socket Cap Screw	M10X40	1
283	Set Bushing		1	324	Nut	M10	1
284	Hex. Cap Screw	M6X12	2				









MACHINERYHOUSE

Round Head Screw

Gutter

